

POWER PLUS MOBILITY

VOYAGER PLUS PARTS CATALOGUE

PLEASE TRY TO PROVIDE AS MUCH DETAIL AS POSSIBLE WHEN ORDERING PARTS

THANK YOU FOR YOUR BUSINESS

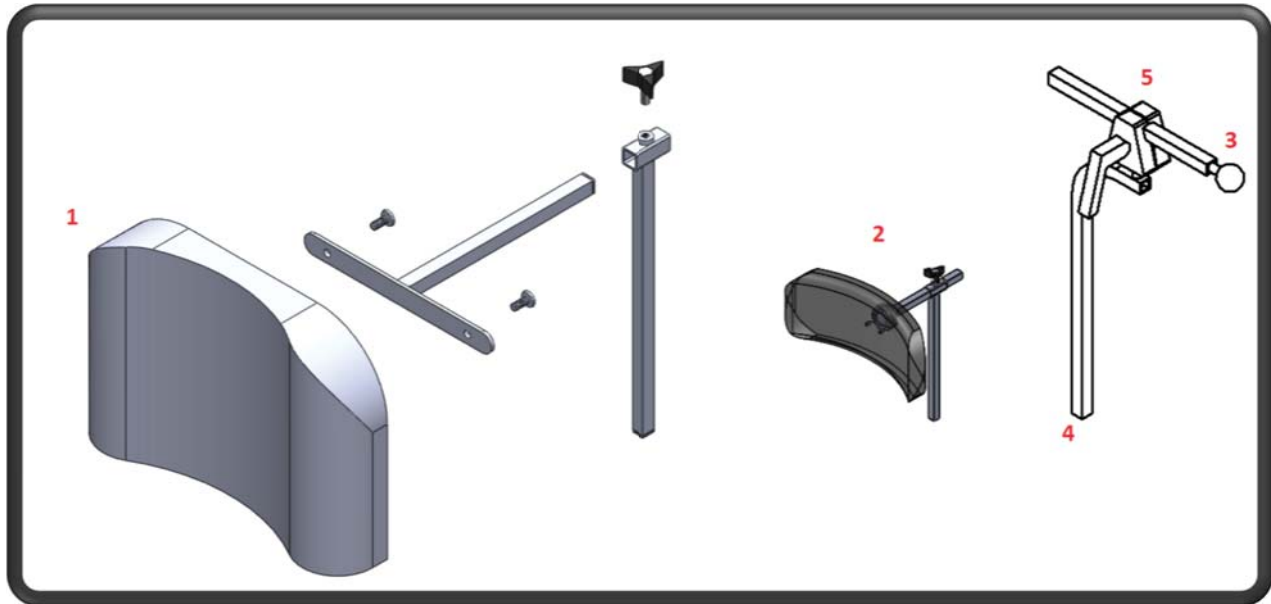
Table of Contents

Parts Category	Page(s)
Diagram	3
Headrest	4
Frame	5
Back Post	6
Backs	7-8
Arm	9
Upholstery	10
Cushions	11
Anti-Tipper	12
Footrest	13-16
Casters/Forks	17
Wheels/ Brakes	18-20
Accessories	21-24

Diagram



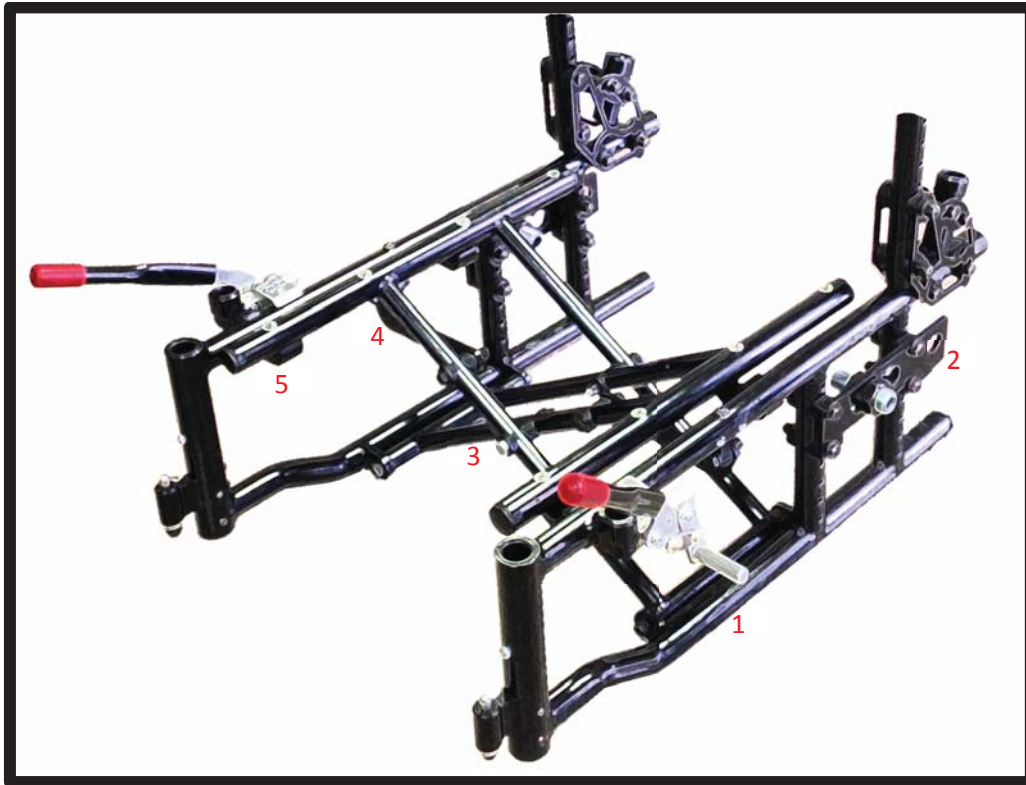
Headrest



Part No.	Figure No.	Description	Price (\$)
UPHT218	1	Contour Headrest Complete	
UPHT219		Contour "U" Headrest Complete	
UPHT220		Custom Headrest (Specify Dimensions)	
UPHT221		Contour Headrest Only	
UPHT222	2	Swivel Headrest Complete	
UPHT226		Right Head Wing Complete	
UPHT227		Left Head Wing Complete	
UPHT228		Head Wing Cover Only (One)	
VOSH		Vertical Offset Headrest Hardware	
VOSG		Vertical Offset Headrest Gooseneck	
VOSV		Vertical Offset Headrest Vertical Extension	
MAHH	3-5	Multi-axis Headrest Hardware	
MAHV		Multi-axis Headrest & Vertical Offset Extender	
MAHG	4	Multi-axis Headrest Gooseneck	
HBAL	5	Headrest Block Assembly Complete (Each)	
HKH		Headrest Knob Handle (Each)	
HBS		Headrest Block (Set/Each)	
HAP		Headrest Adapter Plate	

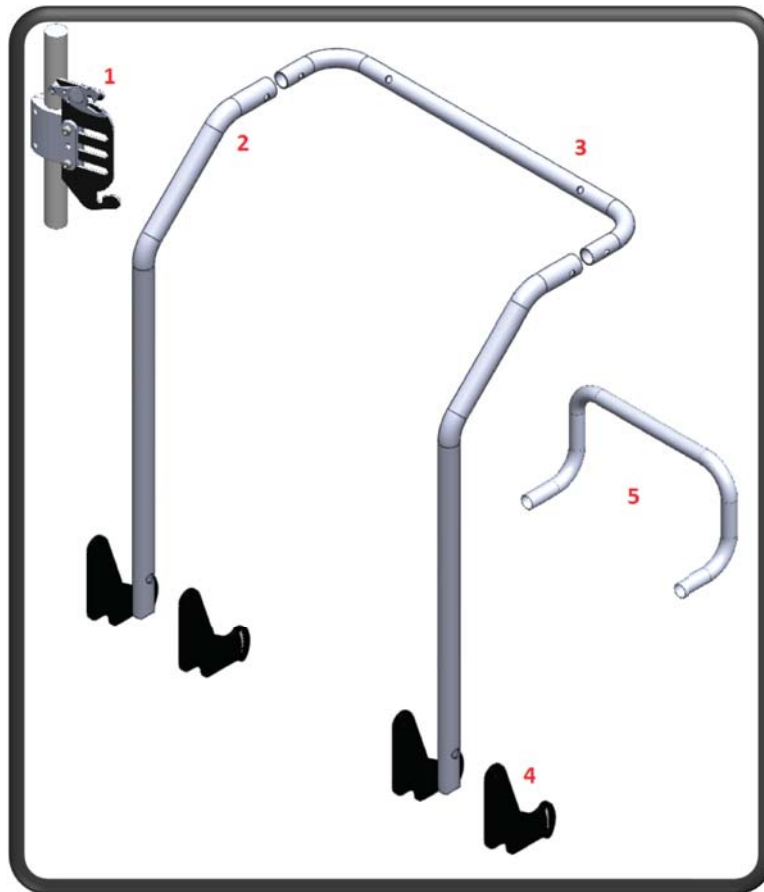
* Please include -P after the each part number and include the product code "VGP" after the Part No.
 Ex: UPHT218-PVGP for Molded Swivel Headrest for the Voyager Plus.

Frame



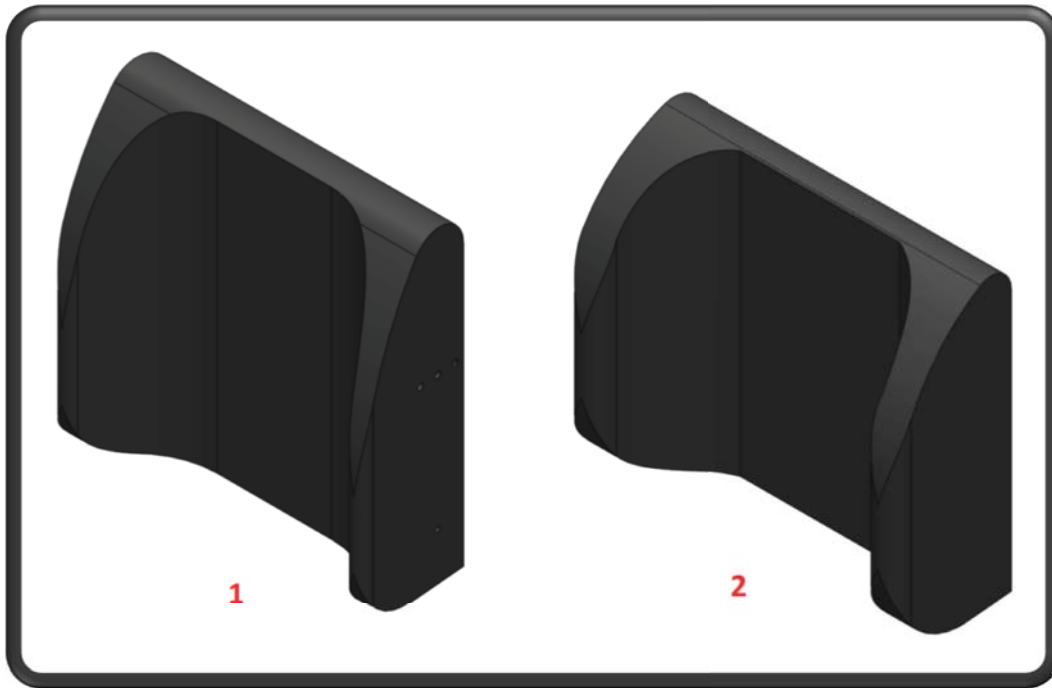
Part No.	Figure No.	Description	Price (\$)
SFSW607 SFSW608	1	Right Aluminum Side Frame Left Aluminum Side Frame	
SFSW609 SFSW610	1	Right Steel Side Frame Left Steel Side Frame	
W006APEG W005APSW	2	Rear Wheel Axle Plate Rear Wheel Axle Plate Extended	
W008ARN		Receiver Lock Nut	
W001AREG		Axle Receiver	
CX001	3	14-18" Right Cross Brace	
CX002		14-18" Left Cross Brace	
CX003		19-20" Right Cross Brace	
CX004		19-20" Left Cross Brace	
CX010		11-24" Right Cross Brace	
CX011		21-24" Left Cross Brace	
CX012		25+" Right Cross Brace	
CX013		25+" Left Cross Brace	
CX009	4	Cross Brace Links (Specify Size) Each	
CX014	5	Cross Brace saddle block Each	
TD-FB		Tie Down Front Bracket	
TD-RB		Tie Down Rear Bracket	

Back Post Setup



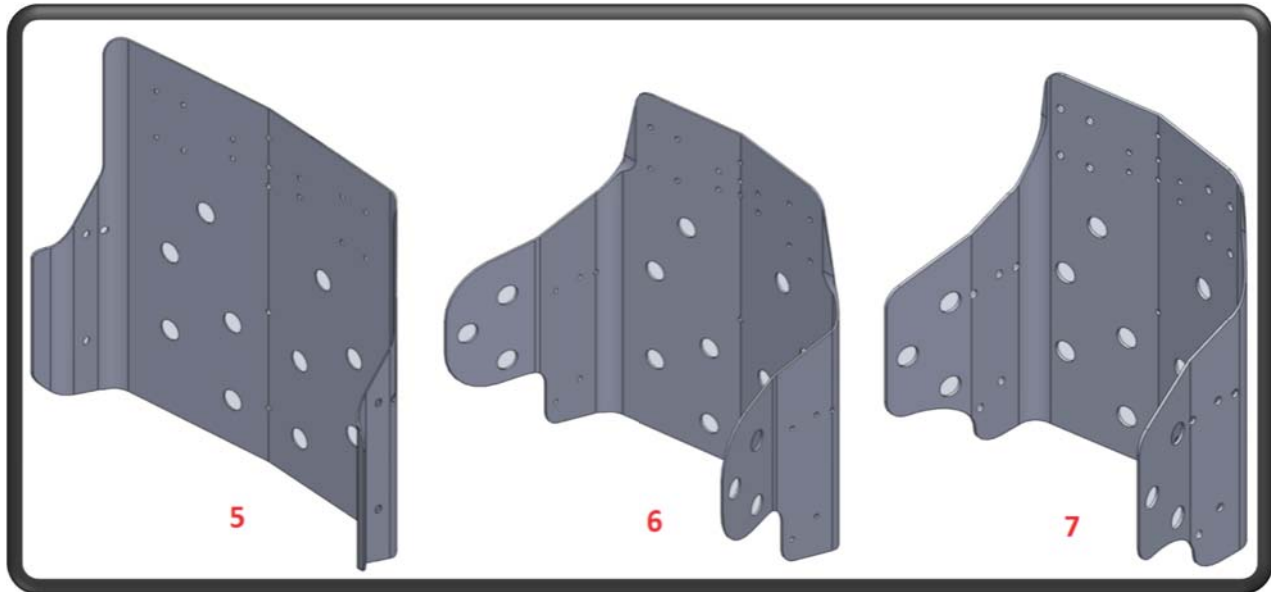
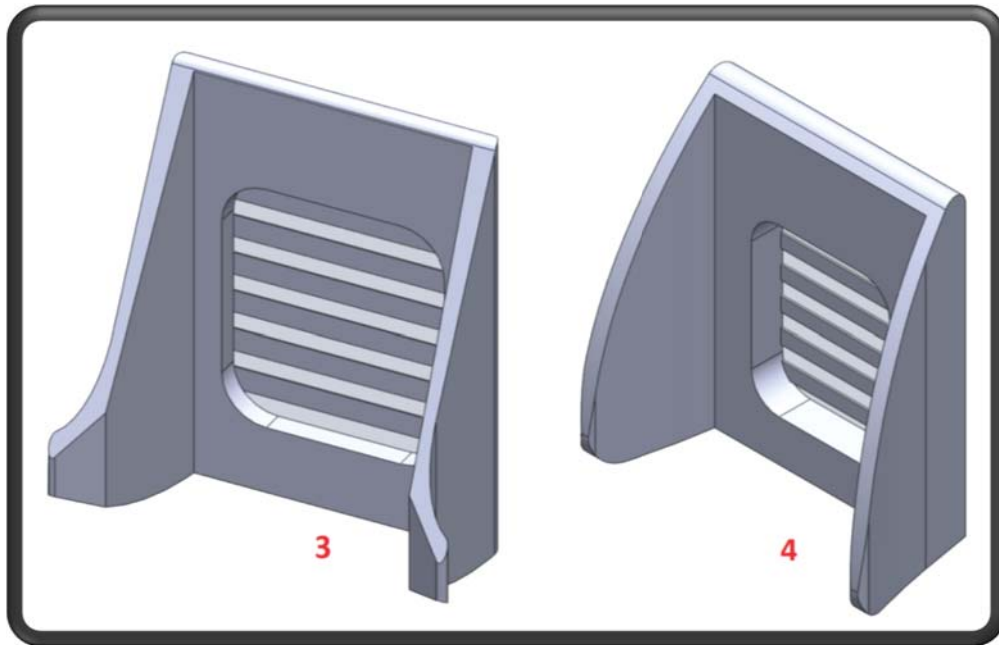
Part No.	Figure No.	Description	Price (\$)
STBH10 STBH11	1	Back Hardware R -Right Back Hardware L - Left	
SFST7005 SFST7005F SFST7005T SFST7005FT SFST7006	4	Angle Adjustable Back Bracket -Pair T ARM Fixed Back Bracket-Pair T ARM Angle Adjustable Back Bracket -Pair T ARM Fixed Back Bracket-Pair T ARM Angle Adjustable Back Bracket Recline Back - Pair	
SFST710 SFST711	2	Standard Back Cane Stroller Handle Knuckle Joint	
SFST712 STRBCR	5 3	Raised Back Cane Rigidizer Back Cane Rigidizer	

Back



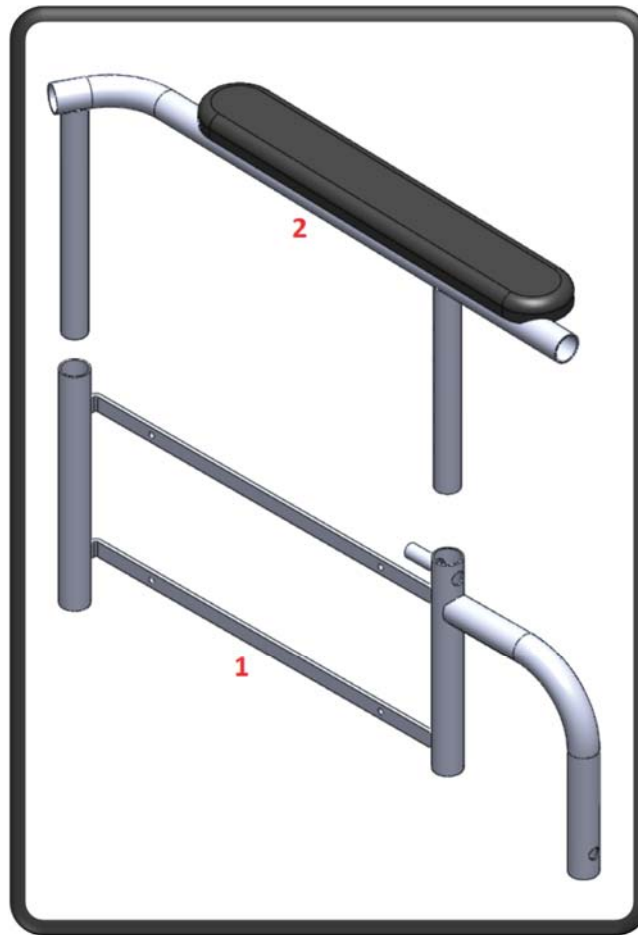
Part No.	Figure No.	Description	Price (\$)
UPH217		Contour Back Cover Only	
UPHT229		Headwing "L" Bracket	
UPHT230		Headwing Plate	
UPHT225		Headrest Plate (For Back)	
SUB####	1	Shallow U Back Standard (Specify Width)	
SUB####		Shallow U Back Tall (Specify Width)	
SUB####		Shallow U Back Custom (Specify Width & Height)	
DUB####	2	Deep U Back Standard (Specify Width)	
DUB####		Deep U Back Tall (Specify Width)	
DUB####		Deep U Back Custom (Specify Width & Height)	
KTBS####		Kyphotic Back Shallow U Standard	
KTBS####		Kyphotic Back Shallow U Tall	
KTBS####		Kyphotic Back Shallow U Custom	
KTBD####	3	Kyphotic Back Deep U Standard	
KTBD####	4	Kyphotic Back Deep U Tall	
KTBD####		Kyphotic Back Deep U Custom	
SHU####S	5	SHAPE Shallow U Back (Std./Cus.)	
SHU####M	6	SHAPE Mid U Back (Std./Cus.)	
SHU####D	7	SHAPE Deep U Back (Std./Cus.)	

*Specify Size for #### WIDTH + HEIGHT; EXAMPLE: SUB1818 = SHALLOW U BACK 18" W x 18" H



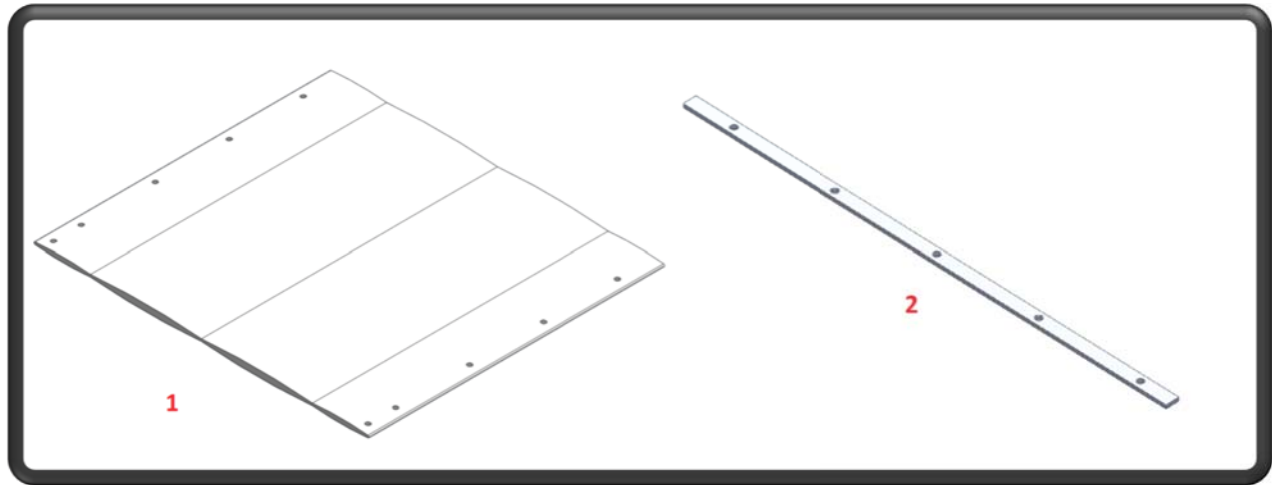
* Please include -P after the each part number and include the product code "VGP" after the Part No.
Ex: UPHT218-PVGP for Molded Swivel Headrest for the Voyager Plus.

Arm



Part No.	Figure No.	Description	Price (\$)
ARM001	1	Right Arm Base - Flip Back	
ARM002		Left Arm Base - Flip Back	
ARM005	1	Right Arm Base T ARM	
ARM006		Left Arm Base T ARM	
ARM009	2	Right Arm Top Flip Back	
ARM010		Left Arm Top Flip Back	
ARM011	2	Right Arm Top T ARM	
ARM012		Left Arm Top T ARM	
ARM130R		Right Front Arm Socket	
ARMSKT		Skirt Guard	
ARM132		Rear Arm Socket - Non-Adjustable	
ARM133		Rear Arm Socket - Adjustable	
UPHA515		Desk Length Urethane Armpad	
UPHA516		Full Length Urethane Armpad	
UPHA517		Desk Length Padded Armpad	
UPHA518		Full Length Padded Armpad	

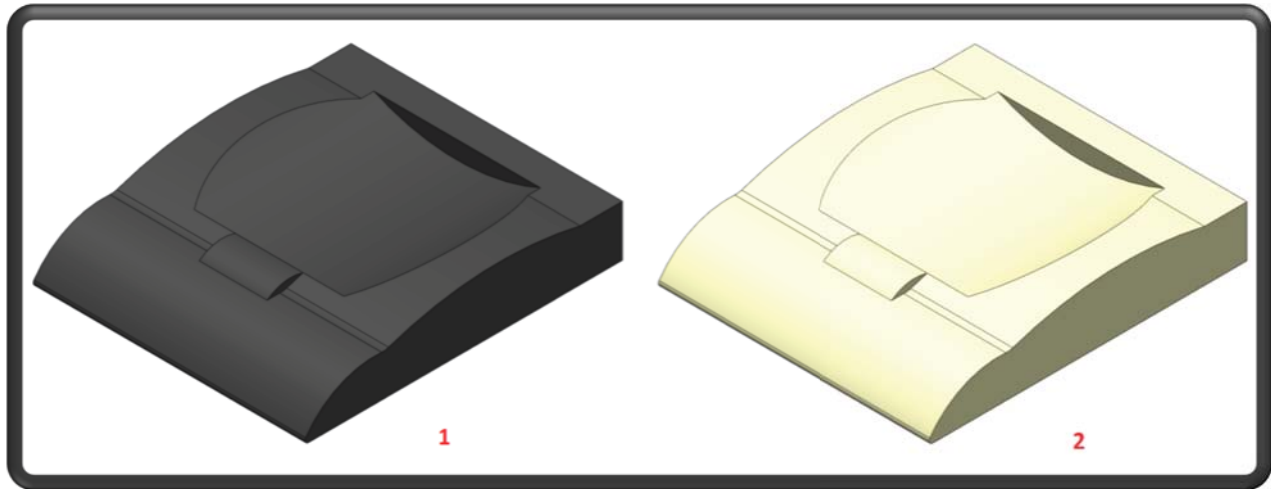
Upholstery



*Specify Size & Colour

Part No.	Figure No.	Description	Price (\$)
UPHB001 UPHS002 UPHB003 UPHS04	1	Padded Vinyl Back Padded Vinyl Seat Padded Black Nylon Back Padded Black Nylon Seat	
UPHBS06 UPHS07 UPHBS08 UPHS07		Padded Vinyl Heavy Duty Back Padded Vinyl Heavy Duty Seat Padded Nylon Heavy Duty Back Padded Nylon Heavy Duty Seat	
UPHB10 UPHS11 UPHB12 UPHSB13		Padded Vinyl Extra Heavy Duty Back Padded Vinyl Extra Heavy Duty Seat Padded Nylon Extra Heavy Duty Back Padded Nylon Extra Heavy Duty Seat	
UPHS14		Solid Pocketed Seat w/Insert	
UPHA510 UPHA511	2	16 - 19" Deep Seat Upholstery Strap 20 - 22" Deep Seat Upholstery Strap	

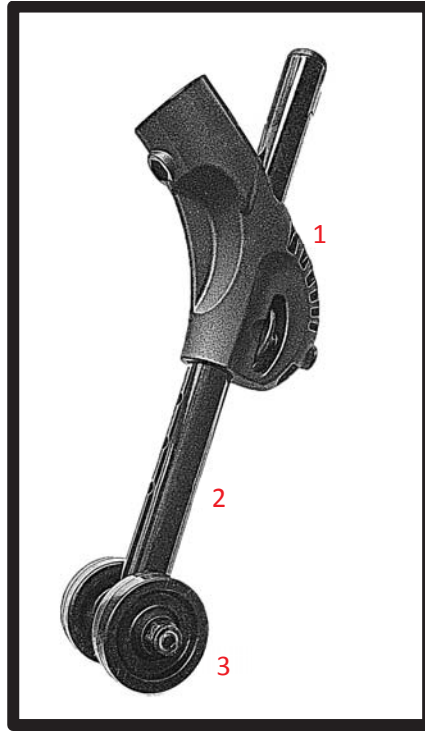
Seat Cushion



Part No.	Figure No.	Description	Price (\$)
UPHT205		Seat Cover Only	
UPHT206	2	Seat Foam Only	
UPHT207		Solid Seat Base (16 - 18")	
UPHT208		Solid Seat Base (18"+)	
COZY####		Cozy Cushion Plus (Specify width + depth for Part No.)	
MAX####		Max Cushion (Specify width + depth for Part No.)	
MBX####		Max Bariatric Cushion	
SDB		Drop Base with Hooks	

*Specify Size for #### WIDTH + DEPTH; EXAMPLE: MAX1818 = MAX Cushion 18" W x 18" D

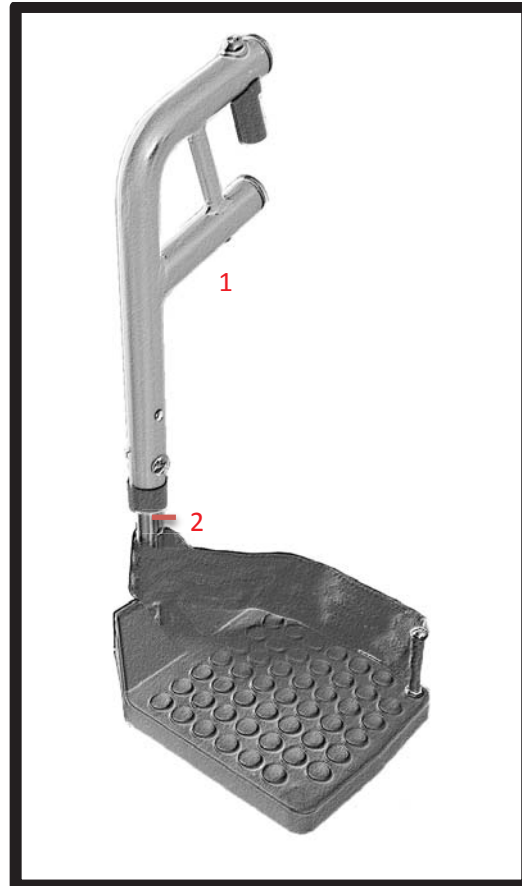
Anti-Tippers



Part No.	Figure No.	Description	Price (\$)
SFST714		Rear Anti-Tippers	
SFST715	1	Anti-Tipper Housing	
SFST716	2	Anti-Tippers Extension	
SF626	3	Anti-Tipper Wheel (Pair)	
CATRS		Clamp On Anti-Tipper Square Bracket (Pair)	

Footrest

Swing Away



Part No.	Figure No.	Description	Price (\$)
FR9001 FR9002	1-3	Right Swing Away Footrest Assembly Complete Left Swing Away Footrest Assembly Complete Please specify degree and release	
FR9003 FR9004	1	Right Swing Away Footrest Bracket Only Left Swing Away Footrest Bracket Only	
		See <i>Footplate</i> Section (Page 18)	
FR9005 FR9006	2	Footrest Extension for Plastic & AAF Footrest Extension for Aluminum Footplate	
PFPC0016 PFPC0018 PFPC0020 PFPC0068		16" Padded Footplate Cover 18" Padded Footplate Cover 20" Padded Footplate Cover Custom Padded Footplate Cover (Specify Size)	

Elevating Legrest



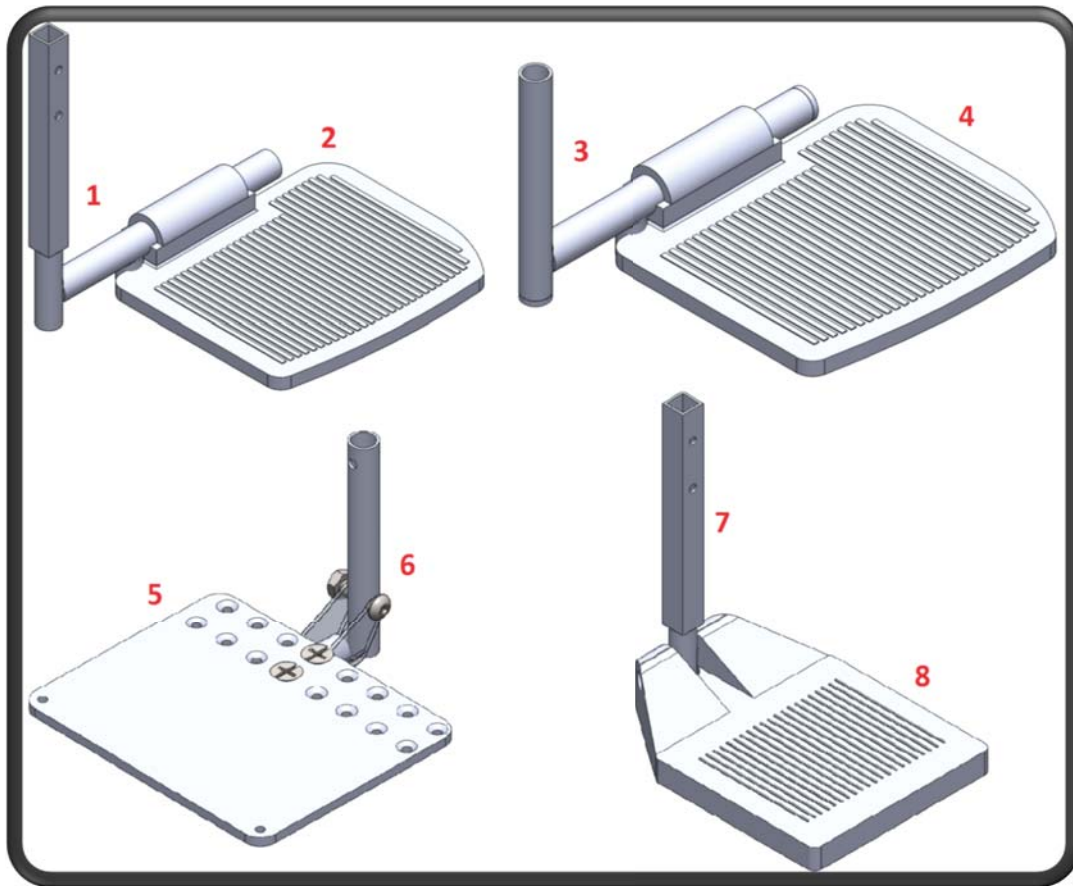
Part No.	Figure No.	Description	Price (\$)
FR9015	1-3	Right Elevating Legrest Assembly Complete	
FR9016		Left Elevating Legrest Assembly Complete	
FR9017	1	Right Elevating Legrest Bracket	
FR9018		Left Elevating Legrest Bracket	
FR9005	2	Footrest Extension For Plastic & AAF	
FR9006		Footrest Extension For Aluminum Footplate	
		<i>See Footplate Section</i>	
FR9065	3	Padded Legpad	
FR9066		Molded Urethane Legpad	

Articulating Legrest



Part No.	Figure No.	Description	Price (\$)
FR9019	1-4	Right Articulating Legrest Assembly	
FR9020		Left Articulating Legrest Assembly	
FR9021	1	Right Articulating Legrest Bracket	
FR9022	2	Left Articulating Legrest Bracket	
FR9023		Articulating Legrest Extension	
FR9023a	3	Articulating Legrest Extension for AAF	
FR9024		Articulating Legrest Height Adjustment Assembly	
		<i>See Footplate Section</i>	
FR9065	4	Padded Legpad	
FR9066		Molded Urethane Legpad	

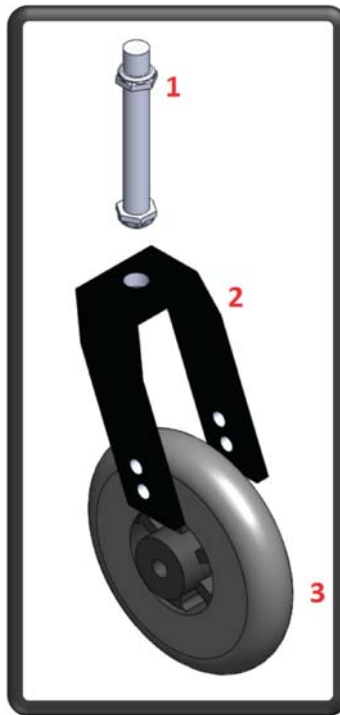
Footplate



**Specify Size*

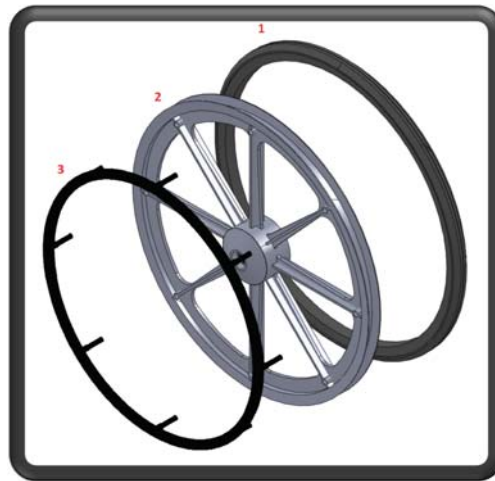
Part No.	Figure No.	Description	Price (\$)
FR9058	8	Molded Plastic Footplate	
FR9059	2	Aluminum Footplate	
FR9060		Anti-Skid Aluminum Footplate	
FR9061	5	Angle Adjustable Footplate	
FR9062		Aluminum Footplate Spring (Pair)	
FR9063	4	Extra Large Aluminum Footplate	
FR9064		Extra Large ABS Footplate	
FR9067		Footrest Bracket Pins	
1FB		One Piece Foot Board	
FR9005	7	Footrest Extension For Plastic & AAF	
FR9006	1 or 3	Footrest Extension For Aluminum Footplate (Rnd./Sq.)	

Casters & Forks



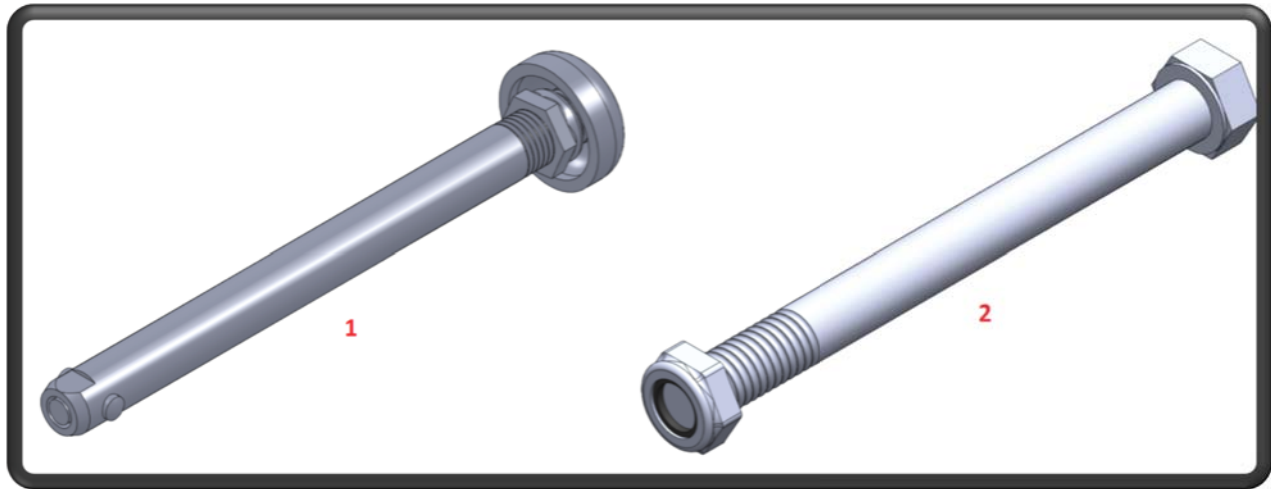
Part No.	Figure No.	Description	Price (\$)
CASF005	1	Fork Stem W/Grade 5 Nut	
CASF001	2	5 x 1 1/2" Short Aluminum Fork (2 Holes)	
CASF002		8 x 1 1/2" Standard Aluminum Fork (5 Holes)	
CASF017		6 1/2 x 1 1/2" Standard Aluminum Fork (3 Holes)	
CASF003	2	5 x 2" Steel Fork (2 Holes)	
CASF004		8 x 2" Steel Fork (5 Holes)	
CASF018		6 1/2 x 2" Steel Fork (3 Holes)	
CASF006		5/16 x 2 1/4" Grade 5 Caster Axle W/Nut	
CASF007		5/16 x 2 3/4" Grade 5 Caster Axle W/Nut	
CASF008		5/16 x 1/4" Caster Spacer	
CASF009		5/16 x 1/2" Caster Spacer	
CAS5100	3	5 x 1" Caster Assembly (Urethane Tire)	
CAS5175		5 x 1 3/4" Caster Assembly (Urethane Tire)	
CAS6125	3	6 x 1 1/4" Caster Assembly (Urethane Tire)	
CAS6175		6 x 1 3/4" Caster Assembly (Urethane Tire)	
CAS8100	3	8 x 1" Caster Assembly (Urethane Tire)	
CAS8125		8 x 1 1/4" Caster Assembly (Urethane Tire)	
CAS8175		8 x 1 3/4" Caster Assembly (Urethane Tire)	
CAS200	3	8 x 2" Caster Assembly (Urethane Tire)	
CASJ001		Caster Journal with hard ware	
CASC001		Caster Journal Cap	

Wheels



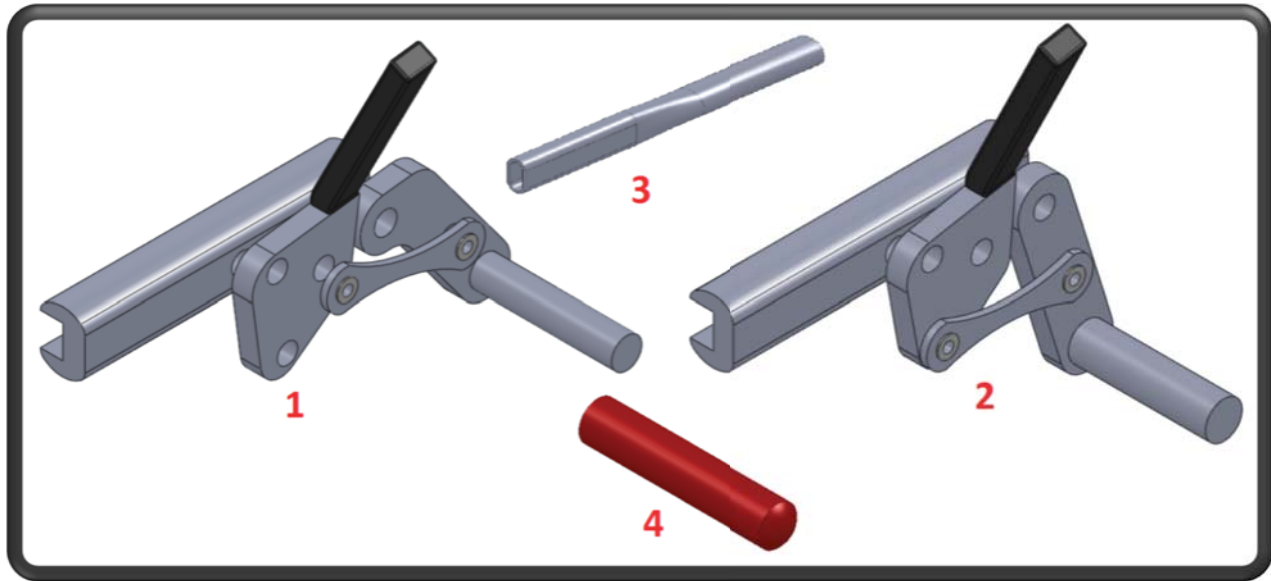
Part No.	Figure No.	Description	Price (\$)
W24A1U W22A1U	1-3	24 x 1" Wheel Assembly 22 x 1" Wheel Assembly	
W24A138U W22A138U W20A138U	1-3	24 x 1 3/4" Wheel Assembly (Threaded Urethane Tire) 22 x 1 3/4" Wheel Assembly (Threaded Urethane Tire) 20 x 1 3/4" Wheel Assembly (Threaded Urethane Tire)	
W24H W22H		24" Eight Spoke Molded Hub 22" Eight Spoke Molded Hub	
W24LPU W22LPU	1	24 x 1" Low Profile Urethane Tire 22 x 1" Low Profile Urethane Tire	
W24TU W22TU	1	24 x 1 3/8" Threaded Urethane Tire 22 x 1 3/8" Threaded Urethane Tire	
W24AT W22AT	1	24 x 1 3/8" Threaded Air Tire 22 x 1 3/8" Threaded Air Tire	
W24ATT W22ATT		24 x 1 3/8" Inner Air Tube 22 x 1 3/8" Inner Air Tube	
W24CH W22CH	3	24" Eight Point Chrome Handrim 22" Eight Point Chrome Handrim	
W24PCH W22PCH W20PCH	3	24" Eight Point Plastic Coated Handrim 22" Eight Point Plastic Coated Handrim 20" Eight Point Plastic Coated Handrim	
W24SSH W22SSH W20SSH	3	24" Eight Point Stainless Steel Handrim 22" Eight Point Stainless Steel Handrim 20" Eight Point Stainless Steel Handrim	
W20AHR	3	20" Grey Aluminum Coated Handrim	
WH24HC WH22HC WH20HC		24" Wheel Hub Cap 22" Wheel Hub Cap 20" Wheel Hub Cap	
BER001 BER002		5/16" x 22mm bearing for casters 1/2" x 1 1/8" x 3/8" bearing for large rear wheels	

Rear Axle And Nut



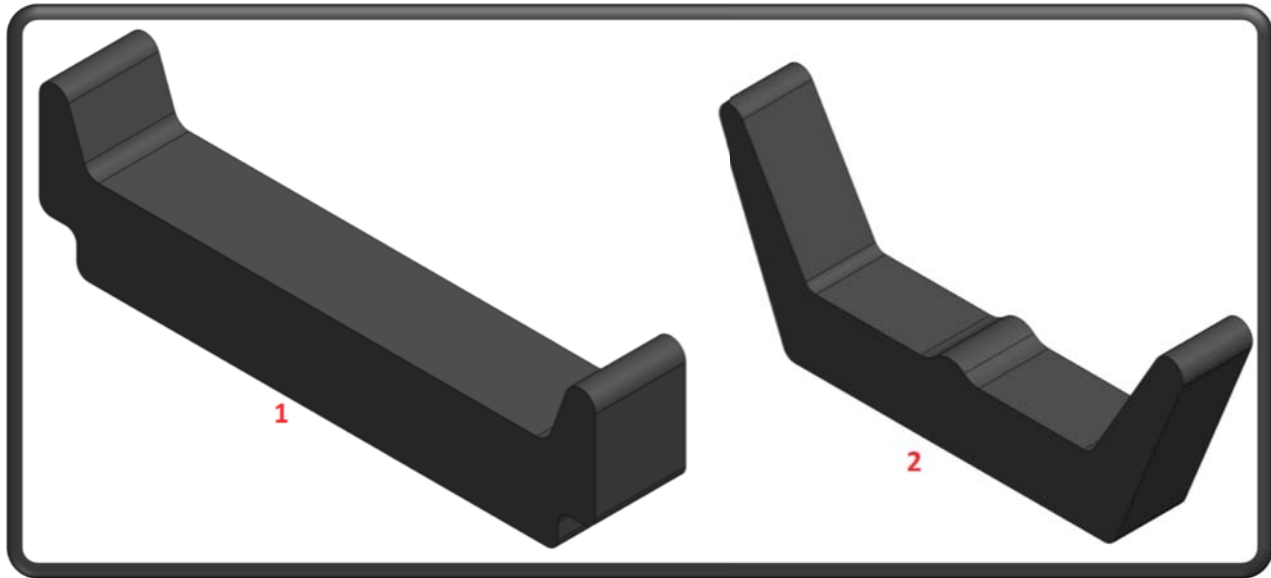
Part No.	Figure No.	Description	Price (\$)
W202224QR1	1	½ x 3.5" Quick Release Axle	
W20222RA1	2	½ x 4 ½" Grade 5 Rear Axle And Nut	
W20222RA2		½ x 3 ¾" Grade 5 Rear Axle And Nut	
W20222RA3		½ x 5" Grade 5 Rear Axle And Nut	
W20222RA4		½ x 5 ½" Grade 5 Rear Axle And Nut	
WL1HS		Handrim Spacers (Set of 8 for 20, 22, 24" Handrims)	
W2HSC		Handrim Screws (Set of 8 for Molded on Spacer Only)	

Brakes



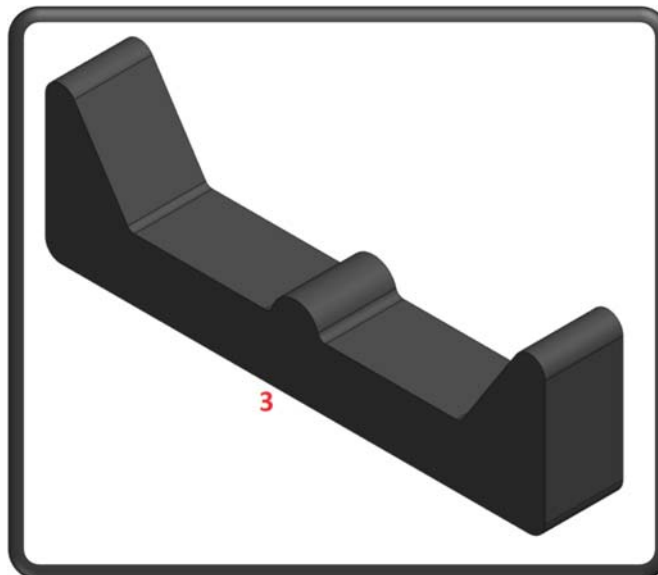
Part No.	Figure No.	Description	Price (\$)
B01SPTR B01SPTL	1	Right 7/8" Steel Pull-To-Lock Left 7/8" Steel Pull-To-Lock	
B02APTR B02APTL	1	Right 7/8" Aluminum Pull-To-Lock Left 7/8" Aluminum Pull-To-Lock	
B03APTR1 B03APTL1	1	Right 1" Aluminum Pull-To-Lock Left 1" Aluminum Pull-To-Lock	
B04SPHTR B04SPHTL	2	Right 7/8" Steel Push-To-Lock Left 7/8" Steel Push-To-Lock	
B05APTR B05APTL	2	Right 7/8" Aluminum Push-To-Lock Left 7/8" Aluminum Push-To-Lock	
B05APTR1 B05APTL1	2	Right 1" Aluminum Push-To-Lock Left 1" Aluminum Push-To-Lock	
BRX9 BRX6 BRX4	3	9" Brake Extension (Pair) 6" Brake Extension (Pair) 4" Brake Extension (Pair)	
BRX015C	4	Brake Extension Caps	
UNIBRX		One Hand Brake System For Folding Chairs (Set) Includes: Brakes, Cable, Clamps, Tool	
ATTBRX		Attendant Brake (Specify Left/Right)	

Contour Legrest Channel

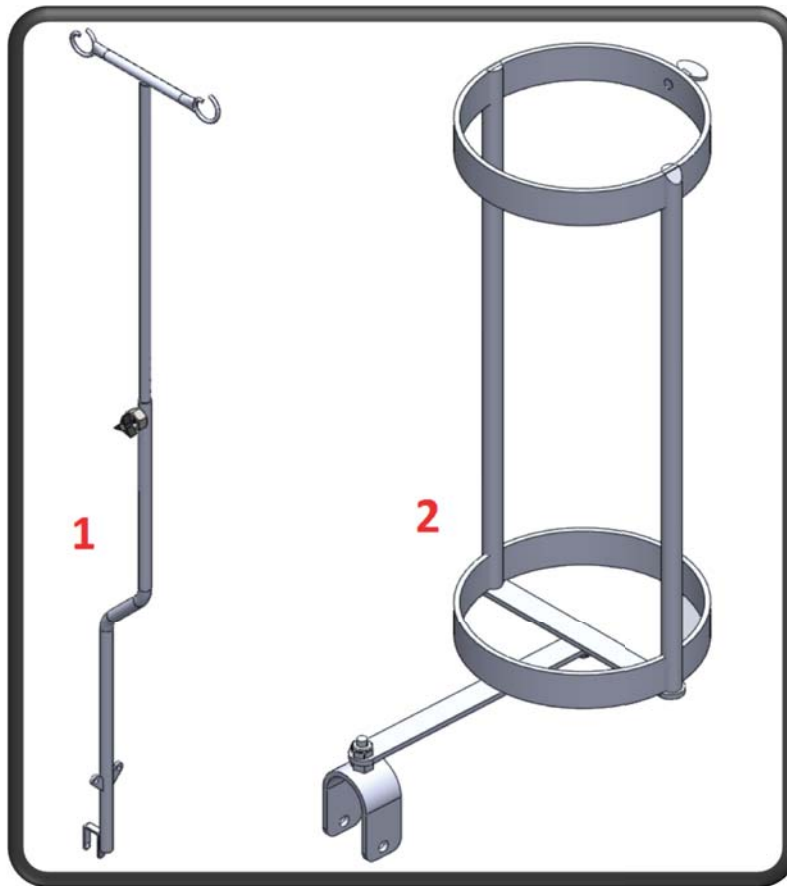


*Specify size (Part No. changes). Ex. 20" Channel = CLC-20, Indicate Passive or Aggressive Style

Part No.	Figure No.	Description	Price (\$)
CLC-#	1	No Pommel Legrest Channel - Standard No Pommel Legrest Channel - Custom	
CLC-#	2	Tapered Contour Legrest Channel - Standard Tapered Contour Legrest Channel - Custom	
CLC-#	3	Squared Contour Legrest Channel - Standard Squared Contour Legrest Channel - Custom	



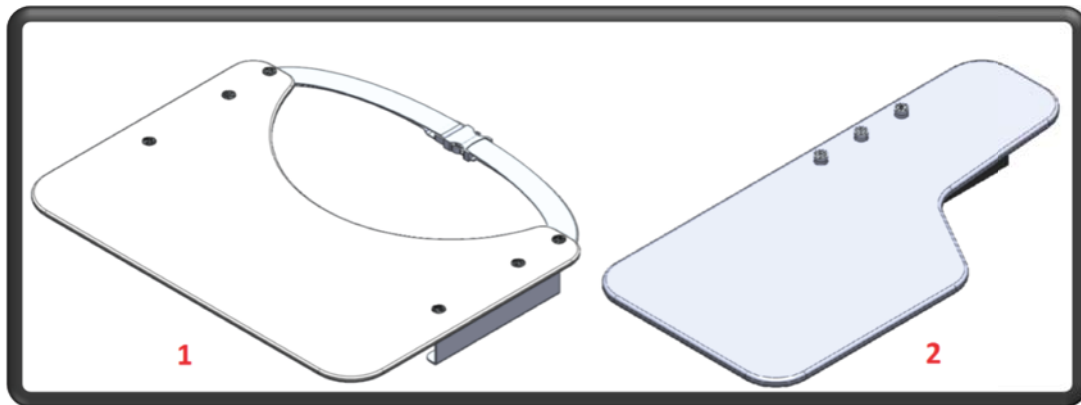
IV Poles & Oxygen Tank Holder



Part No.	Figure No.	Description	Price (\$)
ACC001	1	Adjustable IV Pole	
ACC002		Non-Adjustable IV Pole	
ACC007		Cane & Crutch Holder	
ACC008	2	Oxygen Tank Holder	
ACC008MG		Oxygen Tank Holder w/2-Point Mounting	

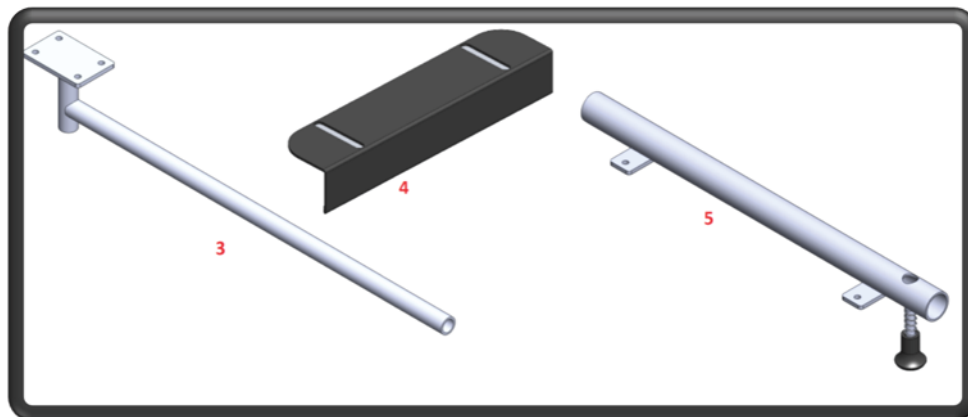
* Please include -P after the each part number and include the product code "VGP" after the Part No.
 Ex: UPHT218-PVGP for Molded Swivel Headrest for the Voyager Plus.

Trays



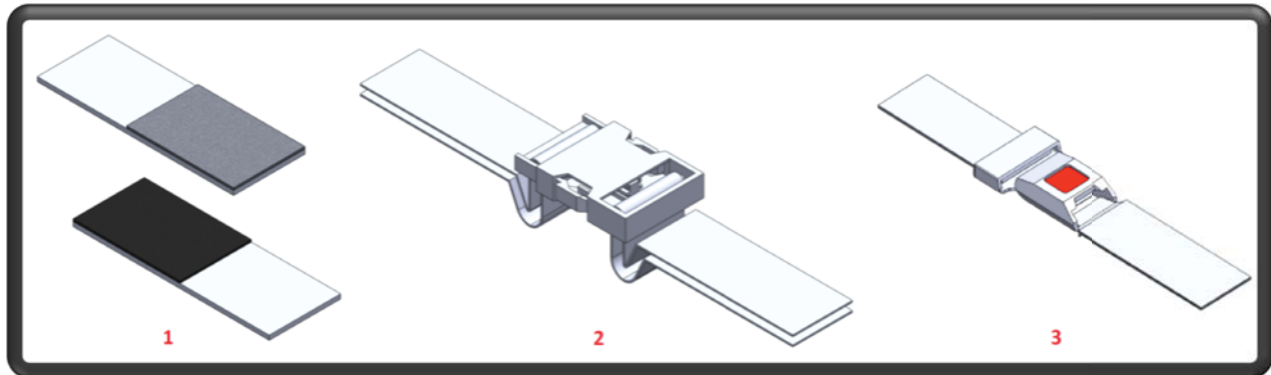
*Specify if Lock-in or Slide-on

Part No.	Figure No.	Description	Price (\$)
ACC010	1	Full Padded Lap Tray Complete w/Brackets	
ACC011		Full Clear Lap Tray Complete w/Brackets	
ACC012		Full Unpadded Lap Tray Complete w/Brackets	
ACC013	2	Right Half Padded Lap Tray Complete w/Bracket	
ACC014		Left Half Padded Lap Tray Complete w/Bracket	
ACC015		Right Half Clear Lap Tray Complete w/Bracket	
ACC016		Left Half Clear Lap Tray Complete w/Bracket	
ACC017	4	Aluminum Slide on Bracket	
ACC018	3	Right Wheelchair Tray Rod	
ACC019	5	Left Wheelchair Tray Rod (Locking)	
ACC020	3	Right Wheelchair Tray Bracket (Armpad)	
ACC021	5	Left Wheelchair Tray Bracket (Locking Armpad)	
CHPTR		Right Arm Trough	
CHPTL		Left Arm Trough	



* Please include -P after the each part number and include the product code "VGP" after the Part No.
 Ex: UPHT218-PVGP for Molded Swivel Headrest for the Voyager Plus.

Seatbelts



Part No.	Figure No.	Description	Price (\$)
UPHA501	1	Velcro Seatbelt	
UPHA502	2	Plastic (Fastex) Seatbelt	
UPHA503	3	Auto Style Seatbelt	
UPHA504		4 - Point Seatbelt	
SBSCPAD		Padded Seatbelt Cover	

Nylon Padded Leg Strap

UPHA506		Nylon Padded Legstrap (8" High)	
UPHA507		Nylon Padded Legstrap (12" High)	
UPHA509		Heel Loop	

Adductors

ADD8		Adductor 8" long	
ADD10		Adductor 10" long	
ADD12		Adductor 12" long	