

SEATING OWNERS MANUAL

RELAX

COMFY CUSHION



At Power Plus Mobility, we care!

Thank you for choosing a wheelchair from Power Plus Mobility Inc. We are always improving in our ways to serve you better and would love to hear your questions or comments about our literatures, the reliability of our chairs and service you received while making the decision of choosing our wheelchair. Please feel free to contact us via our email address: customer@powerplusbility.com

QUESTIONS REGARDING YOUR WHEELCHAIR?

The best way to get your questions answered is by your authorized wheelchair dealer since they know your wheelchair and have the training for it. Please fill in your dealers information below so you have it handy just in case you have any questions or concerns about your wheelchair. Your dealer will guide you on the right direction to take any further steps.

PLEASE FILL BELOW FOR YOUR INFORMATION:

Dealer name: _____

Dealer Address: _____

Tel: _____

Purchased Date: _____

Valued Customer,

At Power Plus Mobility we manufacture top quality **CANADIAN MADE** products. Your seating product should provide you with many years of service, but like any product, it will require proper care and service for it to perform efficiently. However we suggest you regularly inspect your seating product, checking for loose fasteners, excess play and damage.

Please complete your **WARRANTY REGISTRATION CARD** and return it to us at Power Plus Mobility Inc.

Also please read this manual to help understand the proper operation, safety and maintenance of your new product.

LIMITED WARRANTY

Power Plus Mobility guarantees all parts of our wheelchair to be free of defects in workmanship and materials for a period of two years from the date of purchase. "Wear" items such as tires, tubes, arm pads and upholsteries are excluded from this warranty.

This warranty is invalid if the product has been damaged by accident, misuse, neglect, improper application, unauthorized service repair or the addition of non-factory approved accessories.

Power Plus Mobility will repair or replace defective parts as required. A return authorization must be obtained and the parts returned to us freight prepaid, within the warranty period. Labour and freight charges incurred for replacements or repairs are not covered.

Your seating product is designed to give you many years of trouble-free use with proper care. Some servicing can be done at home, but we recommend that periodic maintenance be performed at your dealer if your product requires it.

Service frequency depends strongly on the type of use and your dealer can best advise you on the time interval.

CLEANING

All chrome and painted parts can be cleaned with a mild non-abrasive cleaner such as window cleaner. Stubborn spots or rust can be removed with automotive chrome cleaner.

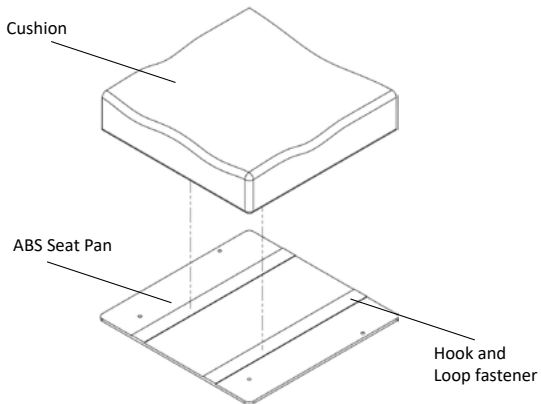
Nylon upholstery should be cleaned with a mild soap and water solution. It should be rinsed well with clean water to remove all soap residues.

LUBRICATION

Your seating product has been made with low friction plastic, steel, aluminum and polished chrome to reduce friction and wear. However a light use of thin lubricant, such as WD40 or silicone spray will reduce friction and wear, making your product easier to use.

SAFETY AND HANDLING

The safe handling of your product depends on understanding the purpose and function of your particular product model. Recognizing the products limitations will increase your confidence level.



SPECIFICATIONS	RELAX SERIES - COMFY CUSHION
ADP	SESWM0030
PRODUCT WEIGHT	3.5 lb (16" x 18")
WIDTH	14"-20"
DEPTH	14"-20"
HEIGHT	3.5"
WEIGHT CAPACITY	250 lbs

COMFY CUSHION SEATING MANUAL



Wash at 40

Do not dry clean

Do not tumble dry

Do not iron



POWERPLUSMOBILITY.COM

208 Wilkinson Road | Brampton, ON | Canada L6T 4M4

Telephone (905)-614-0333 | Toll Free 1-(855)-614-0333

Fax (905)-614-0435